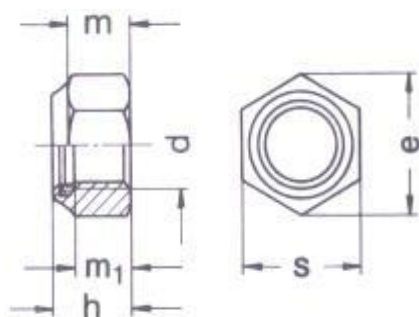




TRANSHOW INDUSTRY LIMITED

GAOYANG RD, ZHOZHAN VILLAGE, JIANGSHAN TOWN
 YINZHOU DISTRICT, NINGBO CITY, 315100 CHINA
 Tel: +86-574-8736.7873 Fax: +86-574-8736.4349
www.transhow.net Email: transhow@transhow.net

DIN 985 Nylon Lock Hex Nut



All measurements in millimeters (mm)

d	s	e	m min	m1 min	h
M3	5.5	6.01	2.4	1.65	4
M4	7	7.66	2.9	2.2	5
M5	8	8.79	3.2	2.75	5
M6	10	11.05	4	3.3	6
M8	13	14.38	5.5	4.4	8
M10	17	18.9	6.5	5.5	10
M12	19	21.1	8	6.6	12
M14	22	24.49	9.5	7.7	14
M16	24	26.75	10.5	8.8	16
M18	27	29.56	13	9.9	18.5
M20	30	32.95	14	11	20
M22	32	35.03	15	12.2	22
M24	36	39.55	15	13.2	24
M27	41	45.02	17	14.8	27
M30	46	50.85	19	16.5	30
M33	50	55.37	22	18.2	33
M36	55	60.79	25	19.8	36
M39	60	66.44	27	21.5	39
M42	65	72.09	29	23.1	42
M45	70	76.95	32	24.8	45
M48	75	82.6	36	26.5	48