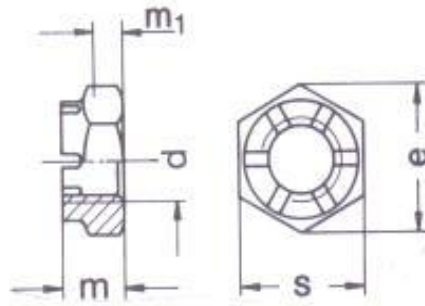




## DIN937



\*All measurements in millimeters (mm)\*

d	s	e	m	m1
M6	10	11.05	6	3.5
M7	11	12.12	7	4
M8	13	14.38	8	4.5
M10	17	18.9	9	5
M12	19	20.1	10	6
M14	22	24.49	11	7
M16	24	26.75	12	7
M18	27	29.56	13	8
M20	30	32.95	13	8
M22	32	35.05	15	9
M24	36	39.55	15	9
M27	41	45.2	17	11
M30	46	50.85	18	11
M33	50	55.37	20	13
M36	55	60.79	20	13
M39	60	66.96	22	13
M42	65	72.61	23	14
M45	70	78.26	25	16
M48	75	83.91	25	16
M52	80	89.56	27	18



2301, Tian Ning Building, 138 West Zhong Shan Road, Ningbo City, 315010 China

Tel: +86-574-8736-7873 Fax: +86-574-8736-4349 E-mail: transhow@transhow.com.cn

Copyright © 2006 Transshow Industry Limited. All Rights Reserved